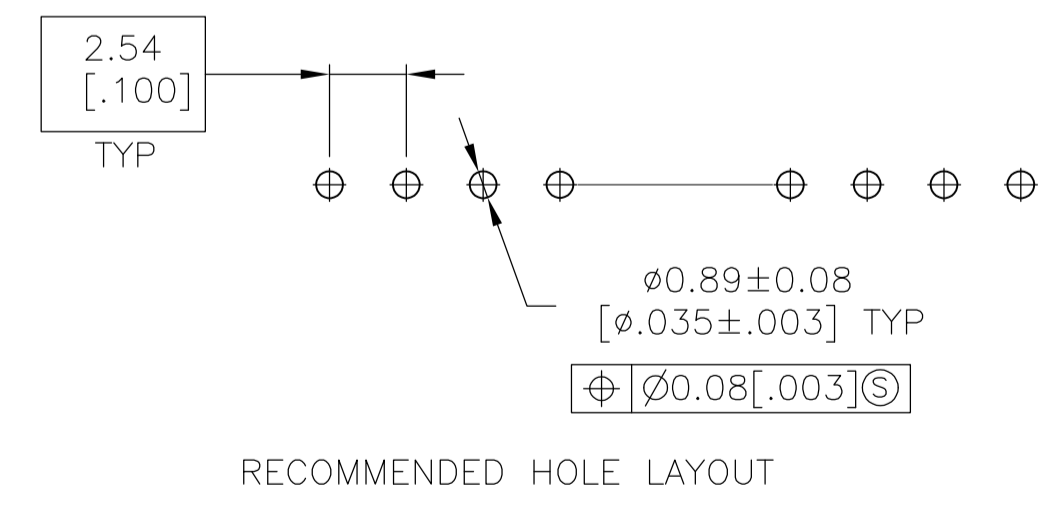
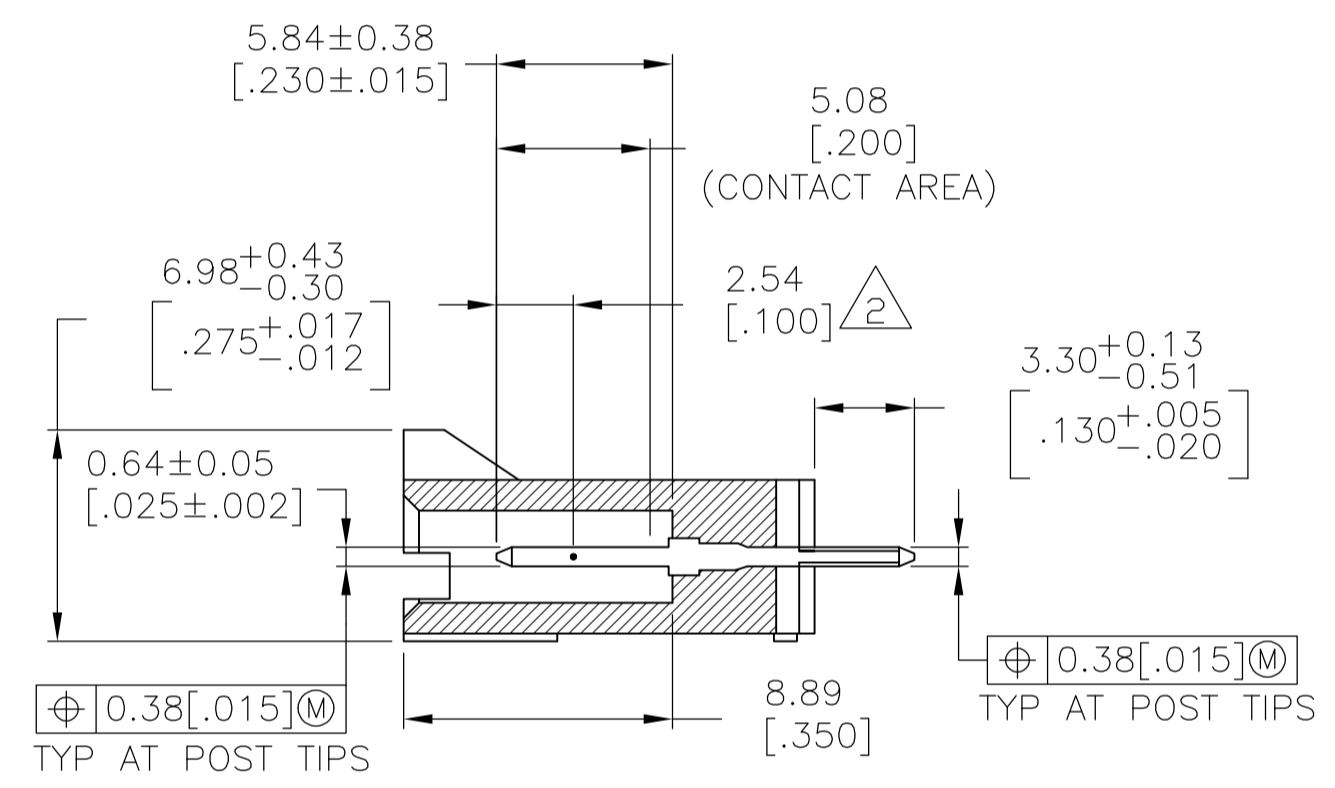
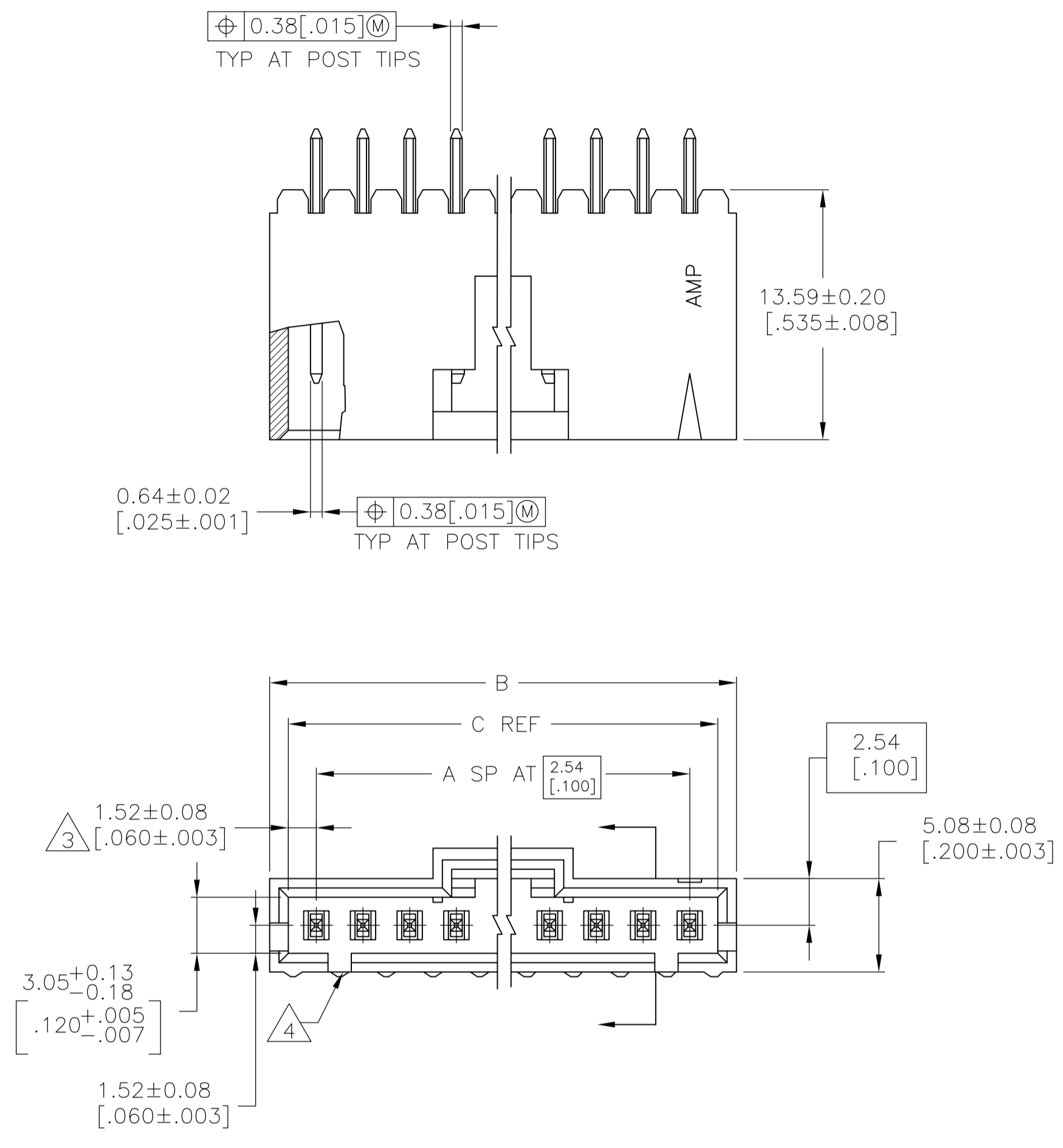


LOC		DIST		REVISIONS				
AD	00	REV	DATE	BY	CHK	APPV		
R1		REVISED PER ECO-10-000443	12JAN10	KK		AEG		

- 1 .00038[.000015] GOLD IN THE CONTACT AREA, .00254[.000100] MATTE TIN-LEAD ON REMAINDER OF CONTACT, ALL OVER .00127[.000050] NICKEL.
- 2 POINT OF MEASUREMENT FOR PLATING THICKNESS.
- 3 THE NOTED DIMENSIONS APPLY AT THE INTERSECTION OF THE POST AND THE HOUSING.
- 4 ON ASSEMBLIES WITH FOUR OR MORE POSITIONS, TWO POLARIZATION SLOTS. ON ASSEMBLIES WITH TWO OR THREE POSITIONS, ONE POLARIZATION SLOT.
- 5 OBSOLETE PARTS: OBSOLETE CIS STREAMLINING PER D.RENAUD/D.SINISI



5	SUPERCEDED BY 7-104910-4	64.01 [2.520]	66.04 [2.600]	24	25	2-103638-4
5	SUPERCEDED BY 7-104910-3	61.47 [2.420]	63.50 [2.500]	23	24	2-103638-3
5	SUPERCEDED BY 7-104910-2	58.93 [2.320]	60.96 [2.400]	22	23	2-103638-2
		56.39 [2.220]	58.42 [2.300]	21	22	2-103638-1
5	SUPERCEDED BY 7-104910-0	53.85 [2.120]	55.88 [2.200]	20	21	2-103638-0
		51.31 [2.020]	53.34 [2.100]	19	20	1-103638-9
5	SUPERCEDED BY 6-104910-8	48.77 [1.920]	50.80 [2.000]	18	19	1-103638-8
		46.23 [1.820]	48.26 [1.900]	17	18	1-103638-7
		43.69 [1.720]	45.72 [1.800]	16	17	1-103638-6
		41.15 [1.620]	43.18 [1.700]	15	16	1-103638-5
		38.61 [1.520]	40.64 [1.600]	14	15	1-103638-4
		36.07 [1.420]	38.10 [1.500]	13	14	1-103638-3
		33.53 [1.320]	35.56 [1.400]	12	13	1-103638-2
		30.99 [1.220]	33.02 [1.300]	11	12	1-103638-1
		28.45 [1.120]	30.48 [1.200]	10	11	1-103638-0
		25.91 [1.020]	27.94 [1.100]	9	10	103638-9
		23.37 [.920]	25.40 [1.000]	8	9	103638-8
		20.83 [.820]	22.86 [.900]	7	8	103638-7
		18.29 [.720]	20.32 [.800]	6	7	103638-6
		15.75 [.620]	17.78 [.700]	5	6	103638-5
		13.21 [.520]	15.24 [.600]	4	5	103638-4
		10.67 [.420]	12.70 [.500]	3	4	103638-3
		8.13 [.320]	10.16 [.400]	2	3	103638-2
		5.59 [.220]	7.62 [.300]	1	2	103638-1
		C	B	A	NO. OF POSN	PART NO.

THIS DRAWING IS A CONTROLLED DOCUMENT.

DESIGNED BY: S. SHUEY	DATE: 3-5-91	Tyco Electronics Corporation Harrisburg, PA 17105-3608
CHK: J. GESFORD	DATE: 3-5-91	
APVD: J. GESFORD	DATE: 3-5-91	NAME: HDR ASSY, VERT, SINGLE ROW
DIMENSIONS: mm [INCHES]		PRODUCT SPEC: 108-25034
TOLERANCES UNLESS OTHERWISE SPECIFIED:		APPLICATION SPEC: 114-25026
0 PLC ± -	1 PLC ± -	SIZE: A1
2 PLC ± 0.13[.005]	3 PLC ± -	CAGE CODE: 00779
4 PLC ± -	ANGLES ± -	DRAWING NO: 103638
MATERIAL: HOUSING: FLAME RETARDANT THERMOPLASTIC	FINISH: 1	RESTRICTED TO: -
COLOUR: BLACK		CUSTOMER DRAWING
CONTACTS: BRASS		SCALE: 4:1
		SHEET: 1 OF 1
		REV: R1